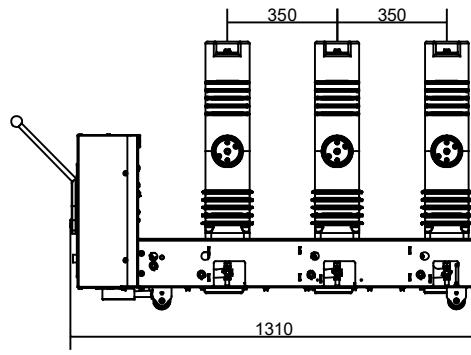
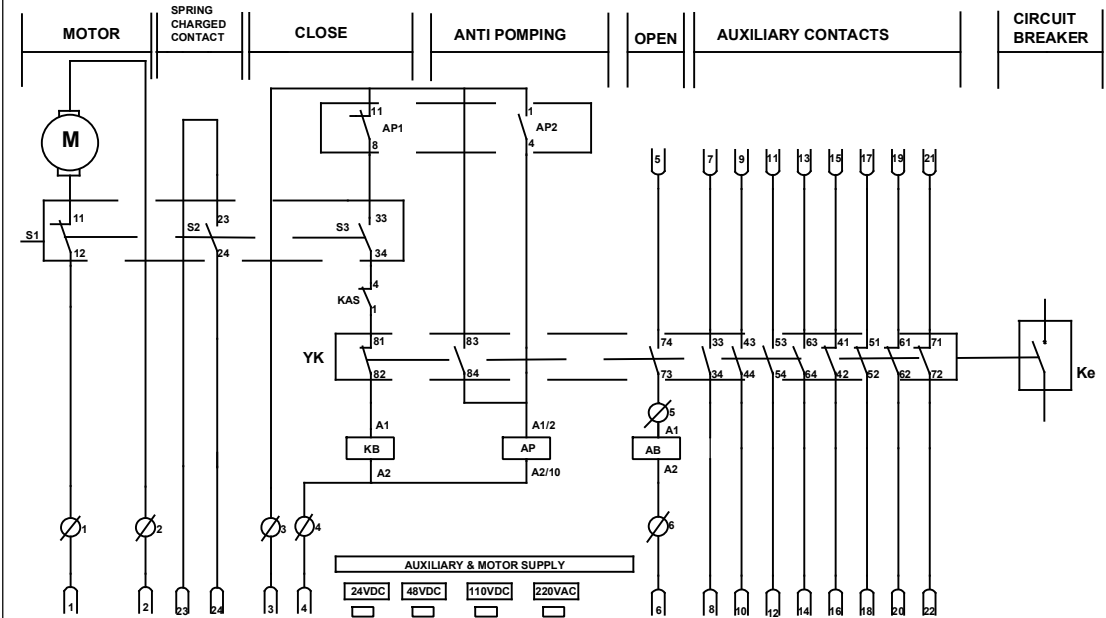


FRONT VIEW



SIDE VIEW



S1/11-12	SPRING CHARGING MOTOR STOP CONTACTS
S3/33-34	CLOSE LOCKING CONTACT
S2/23-24	SPRING CHARGED SIGNALLING CONTACT
AP1	ANTI-POMPING RELAY CLOSED CONTACT
AP2	ANTI-POMPING RELAY OPEN CONTACT

KAS	CLOSING SECURITY SWITCH
YK	CB AUXILIARY CONTACTS
M	SPRING CHARGING MOTOR
Ke	CIRCUIT BREAKER
AB	CB OPEN TRIP COIL

KB	CB CLOSING TRIP COIL
AP	ANTI-POMPING RELAY COIL

SOCKET TERMINALS CLIPS

WIRING DIAGRAM

DWG NO: RESİM NO:	PROJECT: PROJE: EVK 36kV-1A 350mm PHASE
CUSTOMER P.O NO: MÜŞTERİ S.N:	CLIENT: MÜŞTERİ:

TITLE: SAYFA ADI:	EVK 36kV-1A 350mm PHASE (1310x825x300)
	EVK 36kV-1A 350mm PHASE (1310x825x300)

SFA ELECTRIC

00	13-11-18	A.A	A.S	A.S	FIRST ISSUE
REV. DEĞ.	DATE: TARİH:	DRAWN BY: ÇİZEN:	CHECKED: KONTROL:	APPROVED: ONAY:	NATURE OF REVISION: DEĞİŞİKLİK SEBEBİ:
					SHEET: SAYFA: 01
					NEXT: SONRAKİ: --