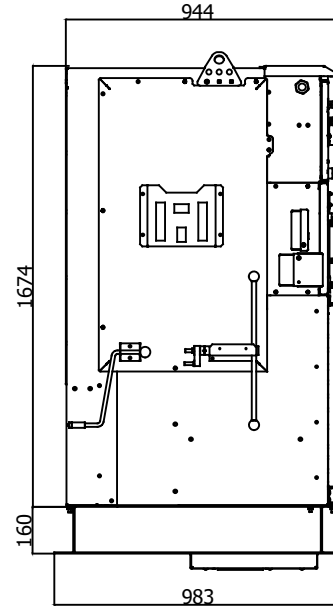
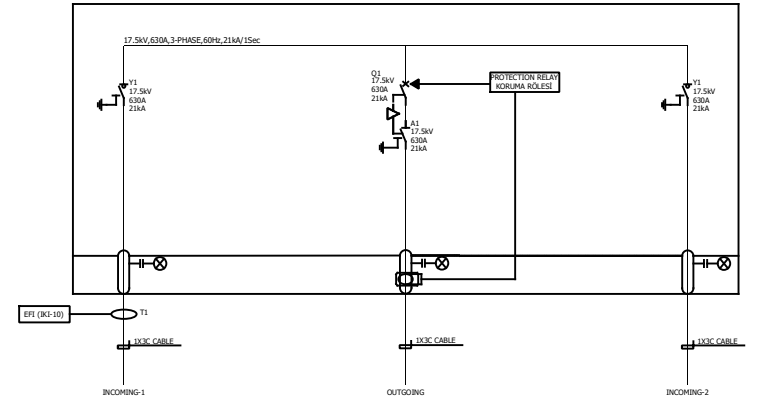


SIDE VIEW



FRONT VIEW



SINGLE LINE DIAGRAM

DWG NO: RESİM NO:	PROJECT: PROJE: SFA-RM17,5.SBS_OTDR	TITLE: SAYFA ADI: SFA-RM17,5.SBS_OTDR
CUSTOMER P.O NO: MÜŞTERİ S.N:	CLIENT: MÜŞTERİ: ----	SFA-RM17,5.SBS_OTDR

SFA ELECTRIC

00	13-11-18	A.A	A.S	A.S	FIRST ISSUE	SHEET: SAYFA: 01
REV. DEĞ.	DATE: TARİH:	DRAWN BY: ÇİZEN:	CHECKED: KONTROL:	APPROVED: ONAY:	NATURE OF REVISION: DEĞİŞİKLİK SEBEBİ:	NEXT: SONRAKİ: ---